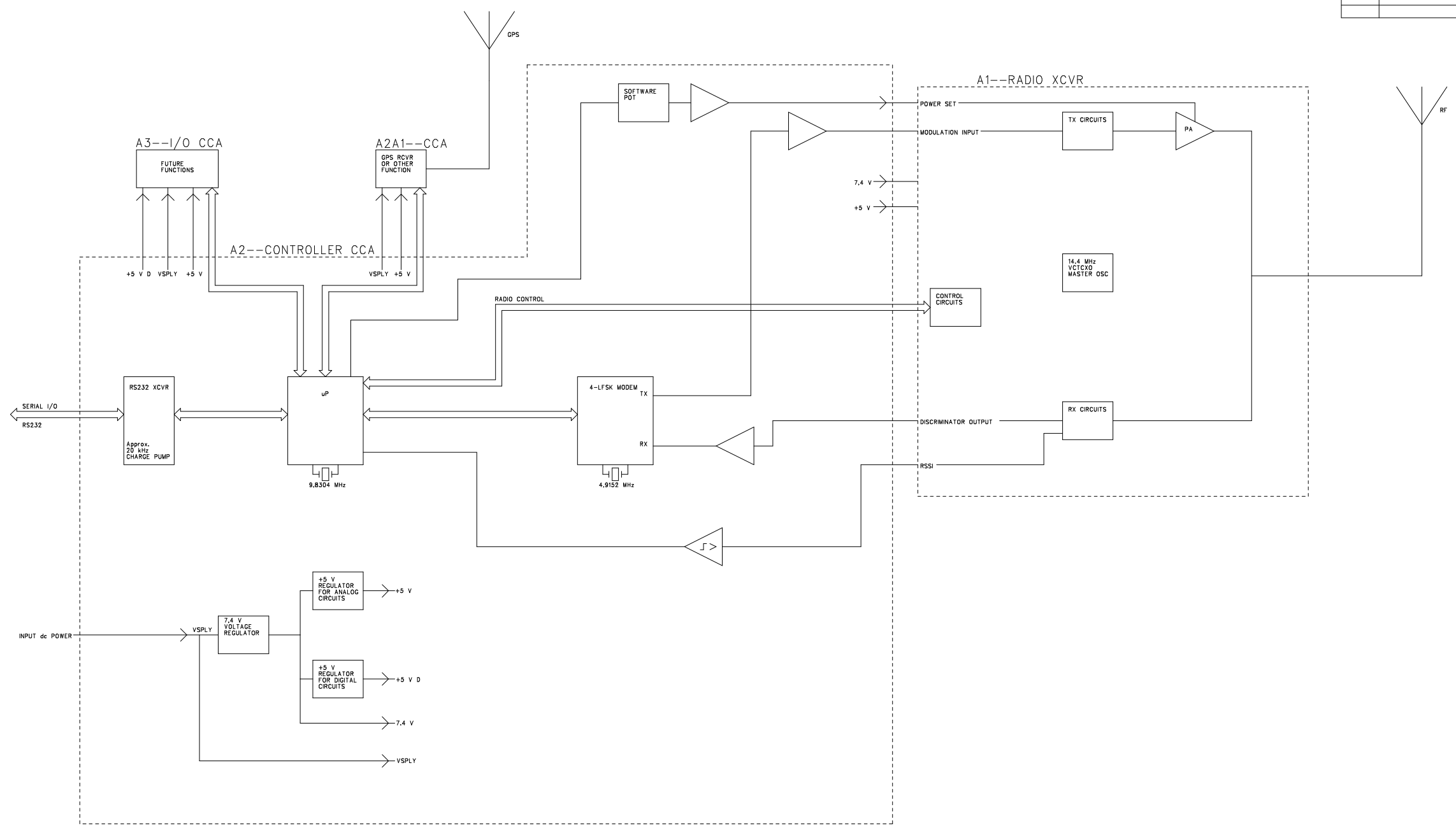


Kantronics

Talon UDC UHF Schematics

Talon UDC Block Diagram	(003-0000-00)	Page 2
Controller Board	(002-0007-01)	Page 3
Radio Module (UHF)	(1750161D)	Page 4

REVISION RECORD			
LTR	ECO NO:	APPROVED:	DATE:



Kantronics

COMPANY: 1202 E 23rd ST, LAWRENCE, KS 66046
 COPYRIGHT 2003 KANTRONICS, INC. ALL RIGHTS RESERVED.
 SPECIFICATIONS SUBJECT TO CHANGE WITHOUT NOTICE

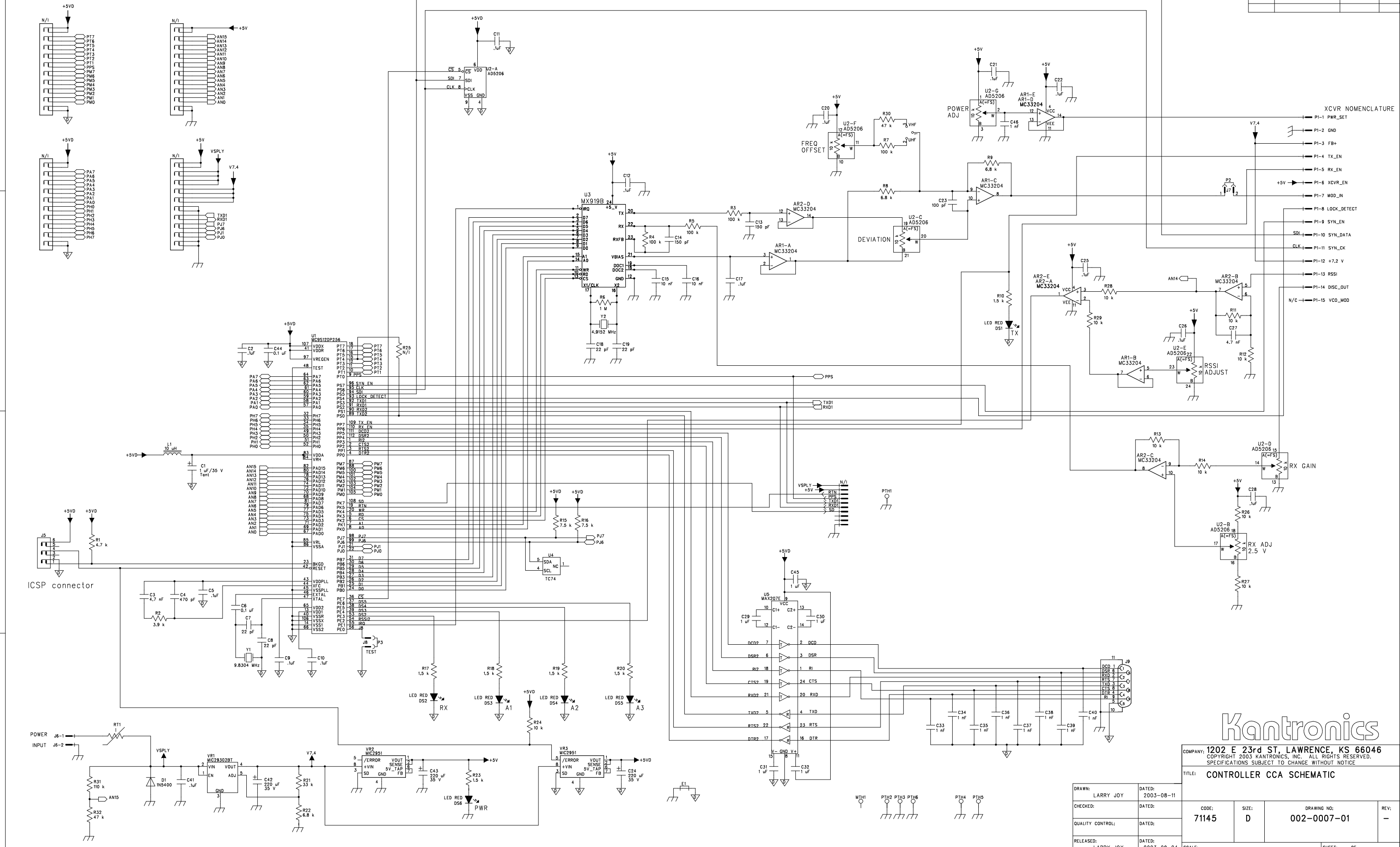
TITLE: TALON UDC BLOCK DIAGRAM

DRAWN: LARRY JOY	DATED: 2003-06-03
CHECKED:	DATED:
QUALITY CONTROL:	DATED:
RELEASED: LARRY JOY	DATED: 2003-06-19

CAGE CODE: 71145	SIZE: D	DRAWING NO: 003-0000-00	REV: -
------------------	---------	-------------------------	--------

NOTES:
1. R7 100 k USED FOR UHF AND R30 47 k USED FOR VHF.

REVISION RECORD		
LTR	ECO NO:	APPROVED:



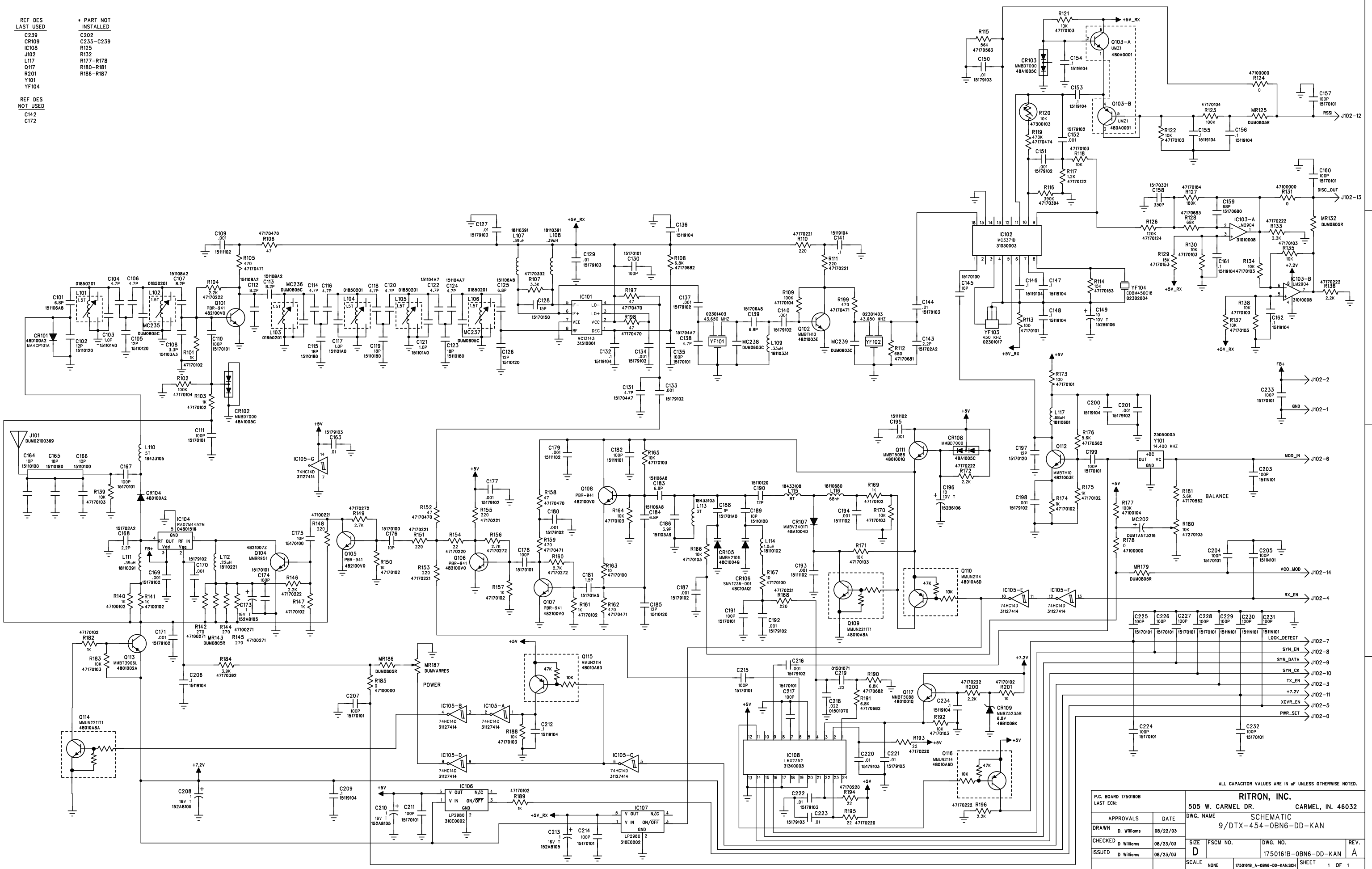
Kantronics

COMPANY: 1202 E 23rd ST, LAWRENCE, KS 66046
COPYRIGHT 2003 KANTRONICS, INC. ALL RIGHTS RESERVED.
SPECIFICATIONS SUBJECT TO CHANGE WITHOUT NOTICE

TITLE: CONTROLLER CCA SCHEMATIC

DRAWN: LARRY JOY	DATED: 2003-08-11	CODE: 71145	SIZE: D	DRAWING NO: 002-0007-01	REV: -
CHECKED:	DATED:	QUALITY CONTROL:	DATED:	RELEASED: LARRY JOY	DATED: 2003-09-04
SCALE:		SHEET: OF			

REF DES	LAST USED	+ PART NOT INSTALLED
C239		C235-C239
CR109		R125
IC108		R132
J102		R177-R178
L117		R180-R181
Q117		R186-R187
R201		
Y101		
YF104		
REF DES	NOT USED	
C142		
C172		



ALL CAPACITOR VALUES ARE IN μ F UNLESS OTHERWISE NOTED.

P.C. BOARD 17501808		RITRON, INC.	
LAST ECR:		505 W. CARMEL DR. CARMEL, IN. 46032	
APPROVALS	DATE	DWG. NAME	SHEMATIC
DRAWN D. Williams	08/22/03	9/DTX-454-0BN6-DD-KAN	
CHECKED D. Williams	08/23/03	SIZE	D
ISSUED D. Williams	08/23/03	FSCM NO.	
		DWG. NO.	17501808-0BN6-DD-KAN
		SCALE	NONE
		REV.	A
		SHEET	1 OF 1