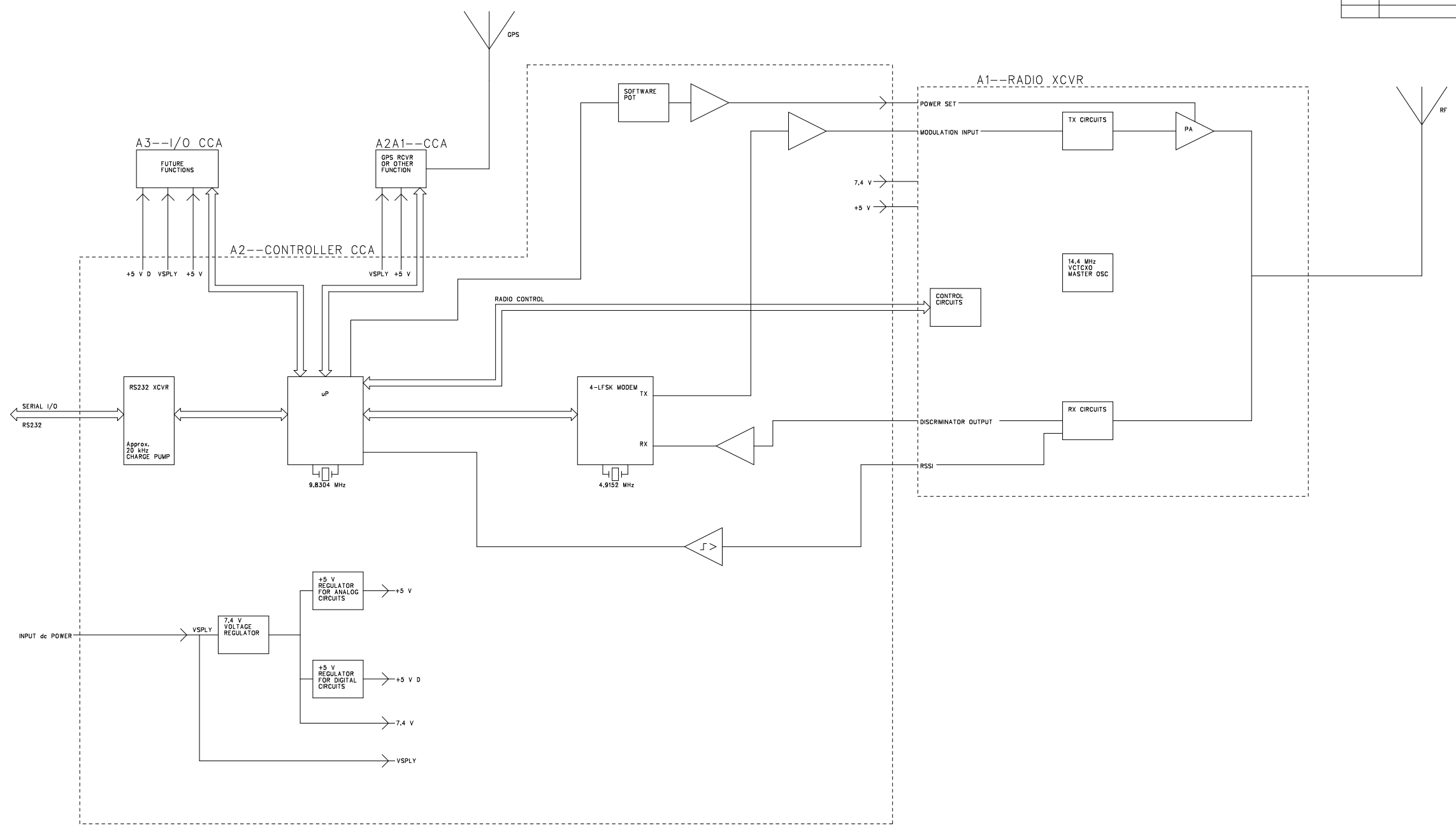


# Kantronics

## Talon UDC VHF Schematics

Talon UDC Block Diagram	(003-0000-00)	Page 2
Controller Board	(002-0007-01)	Page 3
Radio Module (VHF)	(1750171D)	Page 4

REVISION RECORD			
LTR	ECO NO.	APPROVED:	DATE:



**Kantronics**

COMPANY: 1202 E 23rd ST, LAWRENCE, KS 66046  
 COPYRIGHT 2003 KANTRONICS, INC. ALL RIGHTS RESERVED.  
 SPECIFICATIONS SUBJECT TO CHANGE WITHOUT NOTICE

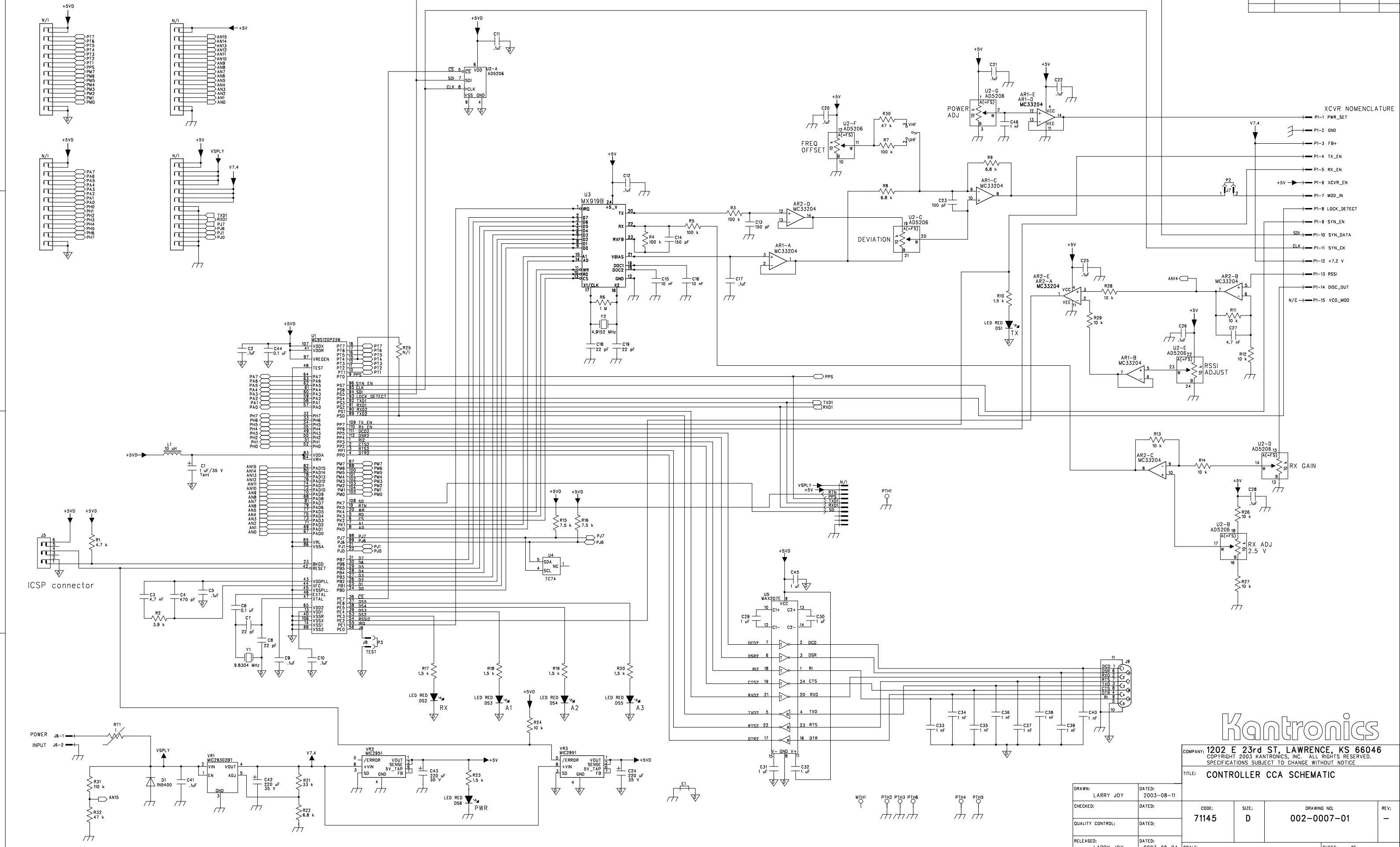
TITLE: TALON UDC BLOCK DIAGRAM

DRAWN: LARRY JOY	DATED: 2003-06-03
CHECKED:	DATED:
QUALITY CONTROL:	DATED:
RELEASED: LARRY JOY	DATED: 2003-06-19

CAGE CODE: 71145	SIZE: D	DRAWING NO: 003-0000-00	REV: -
------------------	---------	-------------------------	--------

NOTES:  
1. R7 100 k USED FOR UHF AND R30 47 k USED FOR VHF.

REVISION RECORD		
LTR	ECO NO:	APPROVED:

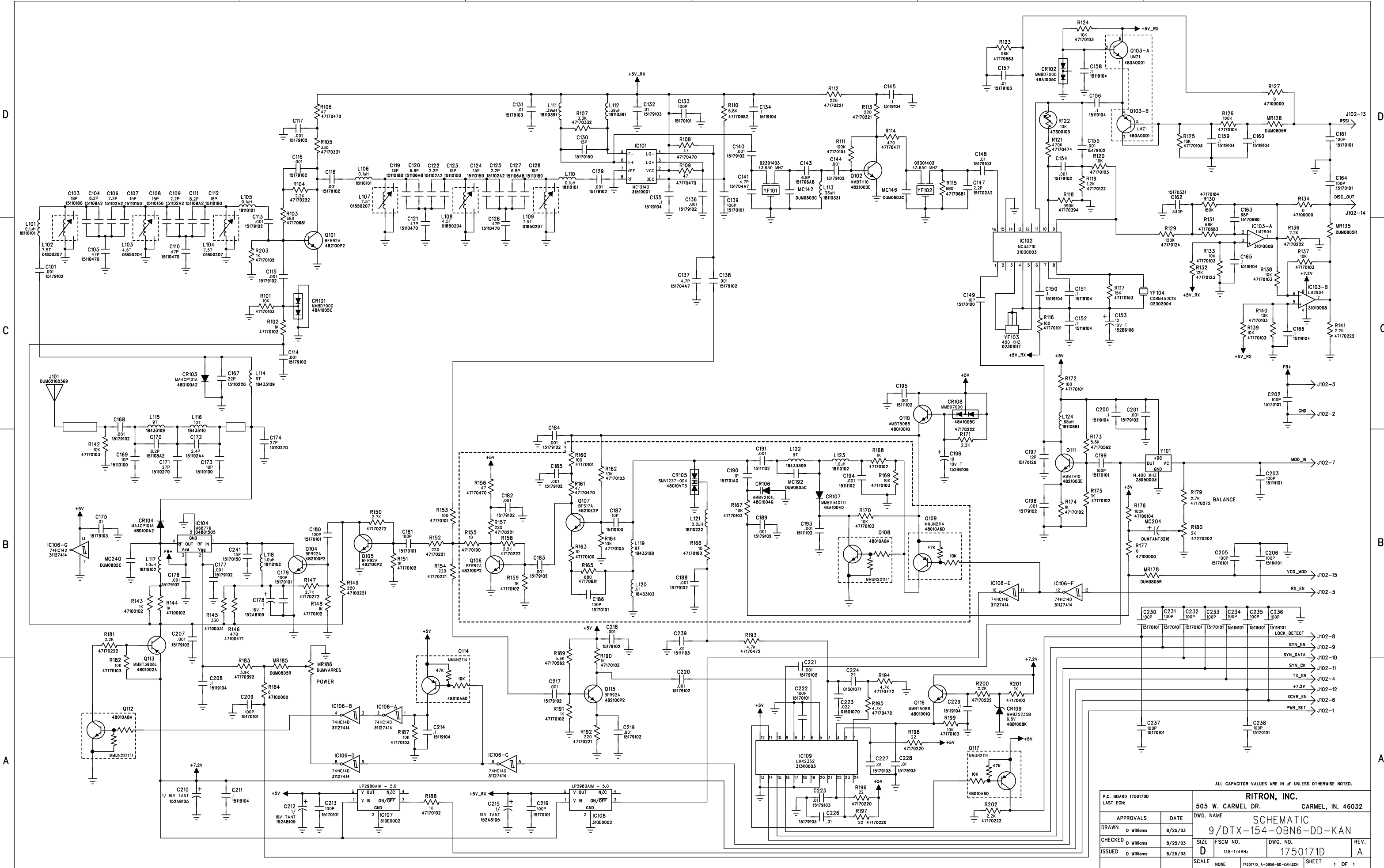


**Kantronics**

COMPANY: 1202 E 23rd ST, LAWRENCE, KS 66046  
COPYRIGHT 2003 KANTRONICS, INC. ALL RIGHTS RESERVED.  
SPECIFICATIONS SUBJECT TO CHANGE WITHOUT NOTICE

TITLE: CONTROLLER CCA SCHEMATIC

DRAWN: LARRY JOY	DATED: 2003-08-11	CODE: 71145	SIZE: D	DRAWING NO: 002-0007-01	REV: -
CHECKED:	DATED:	QUALITY CONTROL:	DATED:	RELEASED: LARRY JOY	DATED: 2003-09-04
SCALE:		SHEET: OF			



ALL CAPACITOR VALUES ARE IN uF UNLESS OTHERWISE NOTED.

P.C. BOARD 1750170D		RITRON, INC.	
LAST ECR:		505 W. CARMEL DR. CARMEL, IN. 46032	
APPROVALS		DWG. NAME	
DRAWN D Williams		9/DTX-154-OBNE-DD-KAN	
CHECKED D Williams		SIZE FSCM NO.	DWG. NO.
ISSUED D Williams		D 148-174MHz	1750171D
SCALE NONE		1750171D_A-OBNE-DD-KAN.SCH	SHEET 1 OF 1