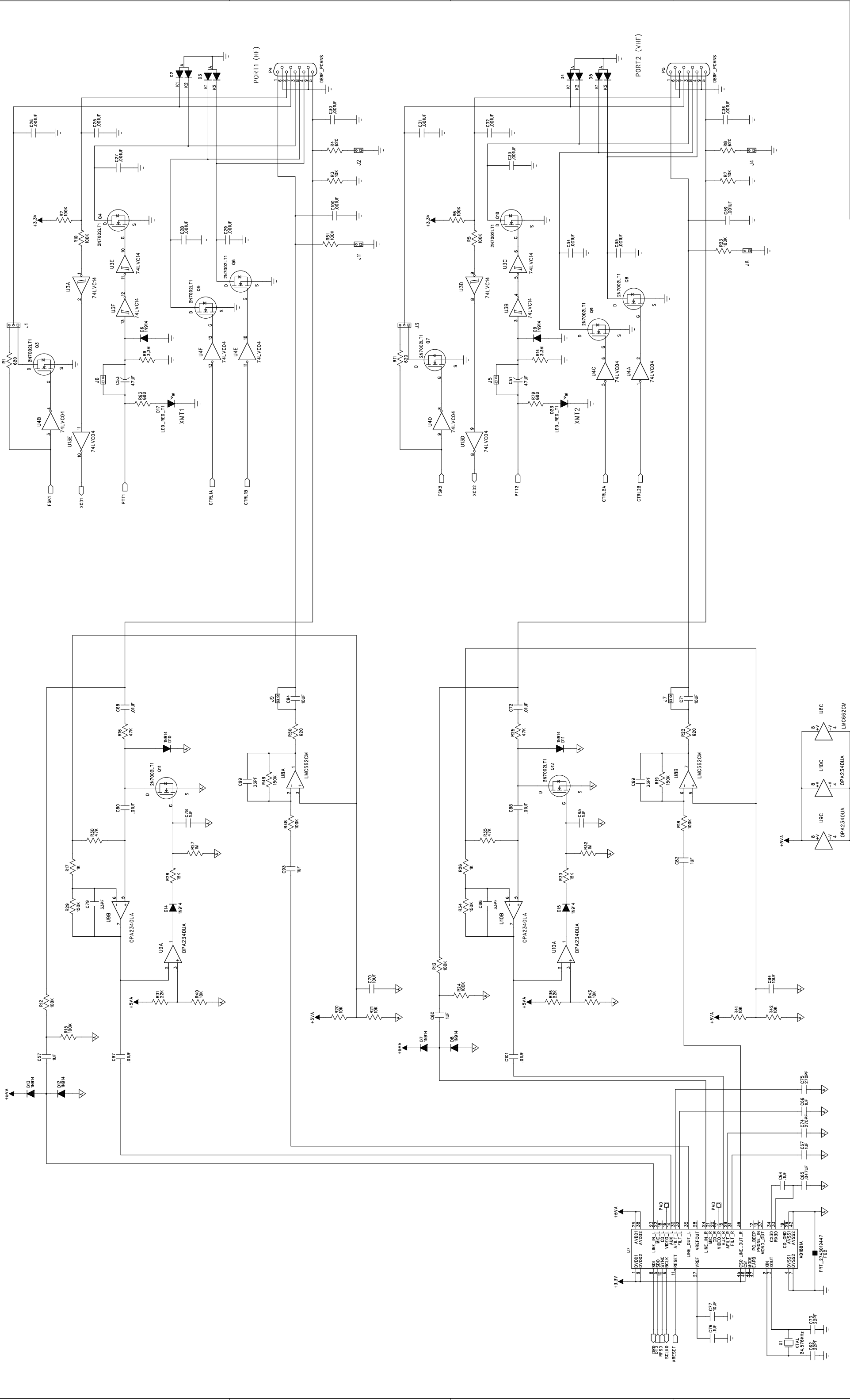


Resistors not normally installed;  
only one of R11 and R12 ever installed

1 2 3 4 5 6



D

D

C

C

B

B

A

A

